

5/20/50/100A REVENUE GRADE TOROIDAL SOLID CORE CURRENT TRANSFORMERS



DENT's Revenue Grade toroidal current transformers are designed for applications where an AC current signal must be transformed into lower AC current or voltage signal appropriate for micro-processor based circuits.

This series of CTs is designed specifically for integration into products which require exceptionally accurate signal transformation with low phase shift while exposed to harsh environmental operating conditions.

KEY SPECIFICATIONS

Window Size	0.5" (12.8mm)
Current Range	5A Model: 0.05 - 10A AC 20A Model: 0.2—40A AC 50A Model: 0.5 - 100A AC 100A Model: 1.0—200A AC
Output	333.3 mV at rated current
Ratio Error	+/-0.2% at rated current (typical)
Phase Error	<0.2°
Accuracy Class¹	IEC 61869-2 Class 0.2 IEEE C57.13 Class 0.3

ELECTRICAL

Output	333.3 mV at rated current
Wire Polarity	White = Hi, positive (+) Black = Low, negative (-)
Frequency Range	50 to 400 Hz

MECHANICAL

Case Material	PBT resin, UL 94V-0, epoxy encapsulated
Leads	2.4 M (8'), twisted pair, 24 AWG, 600V rated
Operating Temperature	-25°C to 85°C (-13°F to 185°F)

SAFETY

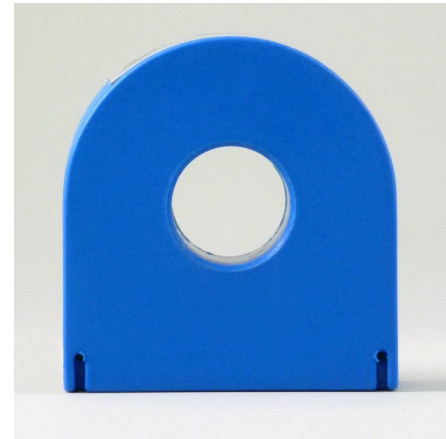
Working Voltage	600 VAC, Category III
Dielectric Strength	5400 VAC
Certification	Conforms to: UL STD 61010-1 EN 60044-1 Certified to: CAN/CSA STD C22.2 No. 61010-1



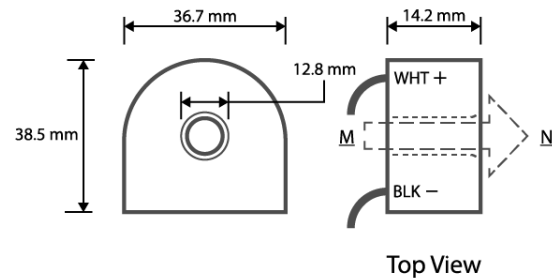
CONTACT US

DENT Instruments, Inc.
Energy & Power Measurement Solutions
An ISO 9001:2008 Certified Company

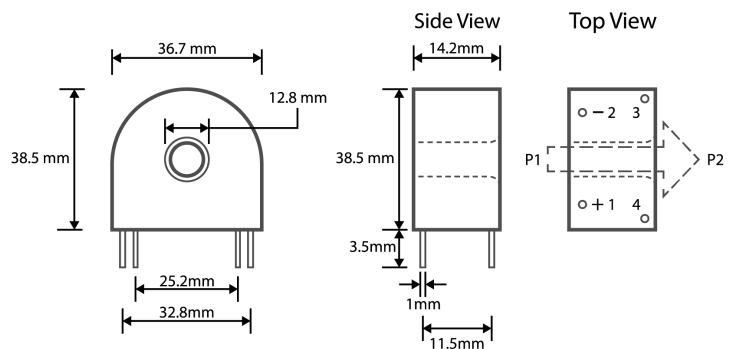
925 SW EMKAY DRIVE
BEND, OREGON 97702 USA
541.388.4774 | 800.388.0770
WWW.DENTINSTRUMENTS.COM



Outline Drawing with Lead Wires



Outline Drawing with PCB/Pin Mounting



PART NUMBERS²

CT-RGT12-0005-U/B/P	5A Revenue Grade Solid Core
CT-RGT12-0020-U/B/P	20A Revenue Grade Solid Core
CT-RGT12-0050-U/B/P	50A Revenue Grade Solid Core
CT-RGT12-0100-U/B/P	100A Revenue Grade Solid Core

¹ When CT phase shift is set as follows: 5A = 0.0°, 20A = 0.0°, 50A = 0.0°, 100A = 0.0°

² U = Unterminated (with ferrules), B = banana plugs, P = Pins